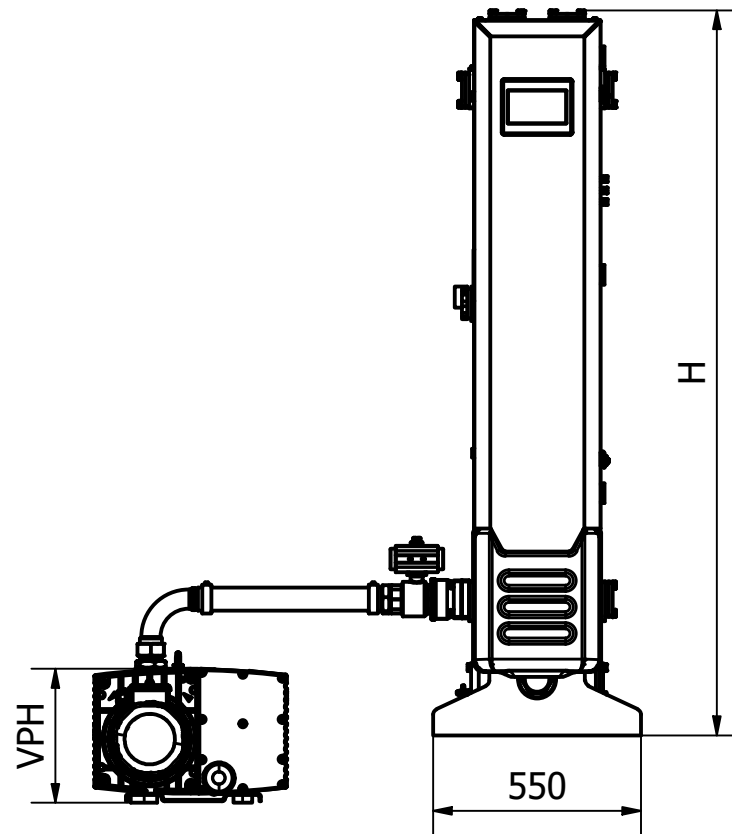
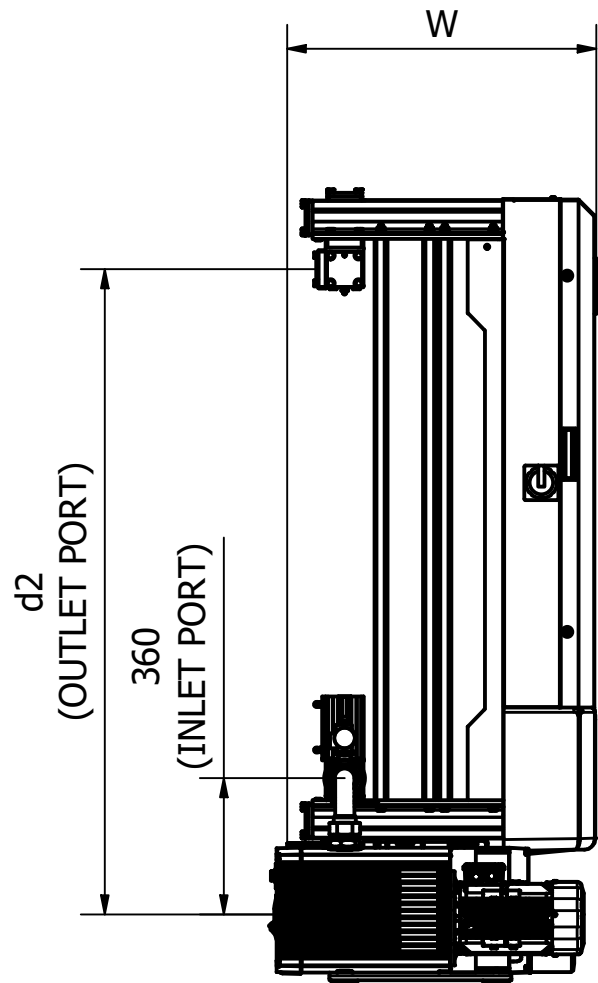
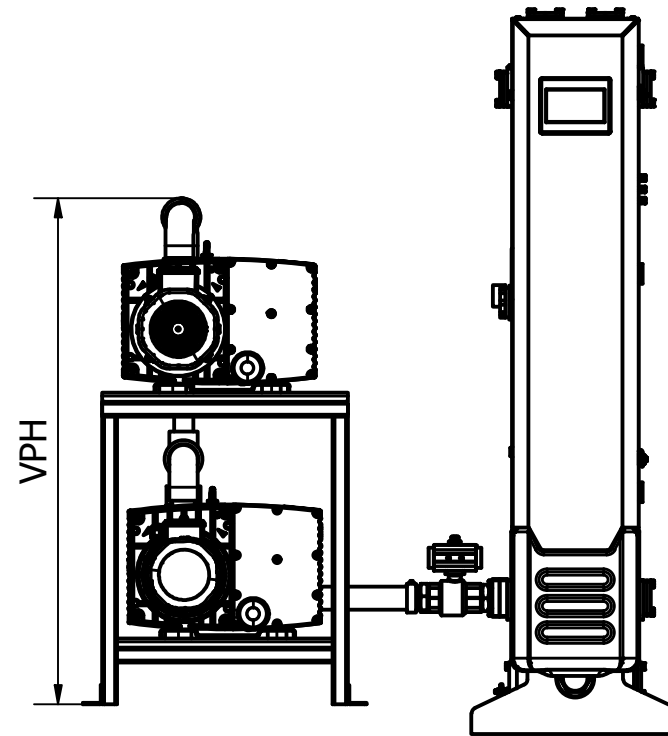


Dryer Model	Pipe Size BSPP or NPT	Dimensions (Dryer Only)										Inlet Filtration		Outlet Filtration			Weight (Dryer Only)		Dimensions (Vacuum Pump Only)						Weight (Vacuum Pump Only)	
		Height (H)		Width (W)		Depth (D)		Fixing Hole Spacing (d1)		Outlet Port Height (d2)		General Purpose	High Efficiency	General Purpose	Filter 4 (FBP Only)	Oil Vapour Reduction (OFAS / FBP Only)	kg	lbs	Height (H)		Width (W)		Depth (D)		kg	lbs
		mm	ins	mm	ins	mm	ins	mm	ins	mm	ins								mm	ins	mm	ins	mm	ins		
CDAS / OFAS / FBP LE 100	2"	1672	65.8	816	32.1	550	21.7	169	6.7	1462	57.6	AOPX040HGFX	AAPX040HGFX	AOPX040HGMX	AAPX040HGMX	OVRP350HGXX	217	478	354	13.9	835	32.9	510	20.1	119	262
CDAS / OFAS / FBP LE 110	2"	1672	65.8	987	38.9	550	21.7	338	13.3	1462	57.6	AOPX040HGFX	AAPX040HGFX	AOPX040HGMX	AAPX040HGMX	OVRP400HGXX	277	611	354	13.9	835	32.9	510	20.1	119	262
CDAS / OFAS / FBP LE 120	2½"	1917	75.5	987	38.9	550	21.7	338	13.3	1707	67.2	AOPX045IGFX	AAPX045IGFX	AOPX045IGMX	AAPX045IGMX	OVRP400IGXX	372	820	354	13.9	854	33.6	510	20.1	128	282
CDAS / OFAS / FBP LE 130	2½"	1917	75.5	1156	45.5	550	21.7	507	20.0	1707	67.2	AOPX045IGFX	AAPX045IGFX	AOPX045IGMX	AAPX045IGMX	OVRP400IGXX	464	1023	354	13.9	946	37.2	510	20.1	171	377
CDAS / OFAS / FBP LE 140	2½"	1917	75.5	1325	52.2	550	21.7	676	26.6	1707	67.2	AOPX050IGFX	AAPX050IGFX	AOPX050IGMX	AAPX050IGMX	OVRP450IGXX	555	1224	354	13.9	946	37.2	510	20.1	171	377
CDAS / OFAS / FBP LE 150	2½"	1917	75.5	1494	58.8	550	21.7	845	33.3	1707	67.2	AOPX050IGFX	AAPX050IGFX	AOPX050IGMX	AAPX050IGMX	OVRP450IGXX	646	1424	1320	52.0	980	38.6	730	28.7	287	633
CDAS / OFAS / FBP LE 160	3"	1917	75.5	1663	65.5	550	21.7	1014	39.9	1707	67.2	AOPX055JGFX	AAPX055JGFX	AOPX055JGMX	AAPX055JGMX	OVRP500JGXX	739	1629	1320	52.0	1070	42.1	730	28.7	330	728
CDAS / OFAS / FBP LE 170	3"	1917	75.5	1832	72.1	550	21.7	1183	46.6	1707	67.2	AOPX055JGFX	AAPX055JGFX	AOPX055JGMX	AAPX055JGMX	OVRP500JGXX	830	1830	1320	52.0	1070	42.1	730	28.7	339	747



DRYER SIZES 100-140



DRYER SIZES 150-170

ECO No. 0448077 REV A

PLEASE CONSIDER THE ENVIRONMENT PRIOR TO PRINTING THIS DRAWING

DO NOT SCALE - IF IN DOUBT ASK

BASED ON BS 8888 DIMENSIONS IN MILLIMETRES

GENERAL TOLERANCES UNLESS OTHERWISE STATED

MACHINED DIMENSIONS
 .XX ±0,13 UP TO 300 ±0,3
 .X ±0,25 OVER 300 TO 600 ±0,5

POSITIONAL TOLERANCE
 PLAIN HOLES Ø0,13
 TAPPED HOLES Ø0,26
 CONCENTRICITY TOLERANCE 0,13 TIR

MACHINED SURFACES INDICATED THUS
 SURFACE TEXTURE TO BS 1134
 VALUES IN MICROMETRES

ANGLES ±½° (EXCEPT CHAMFERS)

METRIC THREADS TO BS 3643 MED. CLASS
 EXTERNAL 6g INTERNAL 6H
 PIPE THREADS
 PRESSURE TIGHT TO BS 21

SHEET METALWORK & FABRICATIONS
 SHEET METALWORK DIMENSIONS
 UP TO 500 ±0,5
 OVER 500 TO 1000 ±1,0
 OVER 1000 ±1,5

FABRICATED PARTS DIMENSIONS
 UP TO 500 ±2
 OVER 500 TO 1000 ±4
 OVER 1000 ±6

POSITIONAL TOLERANCE FOR PLAIN & TAPPED HOLES
 UP TO 500 Ø1,0
 OVER 500 Ø2,0



Parker Hannifin Manufacturing Ltd
 Gas Separation & Filtration Division EMEA
 Dukesway, Team Valley
 Gateshead, Tyne & Wear
 England, NE11 0PZ
 TEL +44 (0)191 402 9000
 FAX +44 (0)191 482 6296
 www.parker.com/gsf

THIS DOCUMENT IS COPYRIGHT AND IS THE PROPERTY OF
 PARKER HANNIFIN LTD. IT MUST NOT BE COPIED IN
 WHOLE OR PART, USED FOR MANUFACTURE OF, OR
 OTHERWISE DISCLOSED WITHOUT PRIOR
 WRITTEN CONSENT OF THE COMPANY

© 2023 A3

NOTES:

- 1) FLANGE PLATES CAN BE EITHER BSPP OR NPT.
- 2) FOR FILTER SALES DRAWING REFER TO **101-10773**
- 3) FOR OVR SALES DRAWING REFER TO **101-10771**

MATERIAL GEN. ARRGT.	SCALE 1:20		DRAWN PS	CHECKED EJ	APPROVED AD	TITLE CDASLE SALES DRG	DRG No. 101-103961	SHEET 1 / 1
			DATE 20/09/2023	DATE 20/09/2023	DATE 20/09/2023			